



BIZERBA

... closer to your business

Ceraclean®
The essence of purity ...

In a class of its own for energy efficiency ...

... Semi-automatic safety slicing machines GSP HD series

GSP HD



GSP HD



- Average energy saving of 50% compared with competing products
- Large capacity thanks to broad carriage
- Transparent finger protection for a clear view during slicing
- Fewer corners, edges and large radii make cleaning fast and easy
- Optimally sealed against water and dirt
- Large, user-friendly remnant holder
- Unique design ensures minimal end-pieces and maximum product yield
- Speed and stroke length can be adjusted while machine is running for even faster work
- The ergonomic design sets standards in safety, yield, hygiene and durability as well as reducing the total cost of ownership

Additional safety features:

- Off-switch integrated in the control knob for slicing thickness, blade-off and machine block when blade is open (optional extra)
- Juices channelled to drain
- Large finger protection for maximum safety
- All-round blade protection during cleaning
- Removable, dishwasher-proof sharpener for greater safety and hygiene
- In manual mode the intelligent powered carriage makes life easier for operating personnel
- Premium quality gravity slicer with ergonomic carriage position for ease-of-use (even with difficult products)

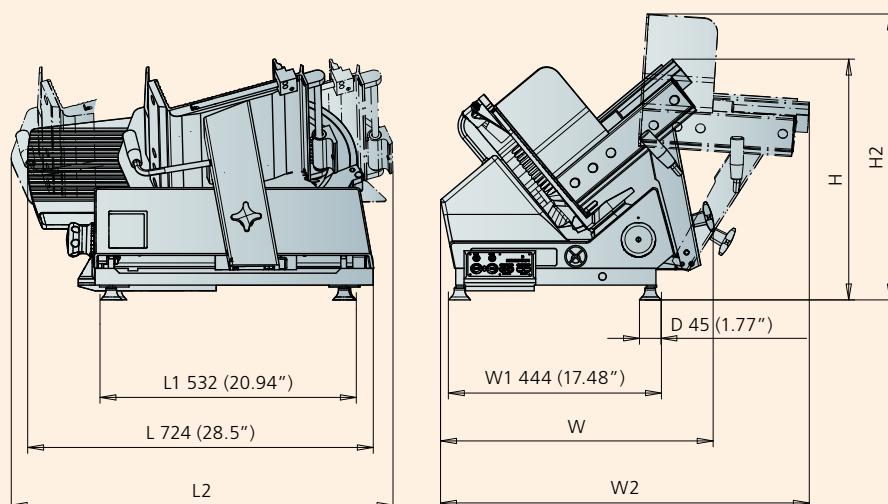
	GSP HD 18° L	GSP HD 25° L	GSP HD 25° H
■ Blade radius	330 mm	330 mm	330 mm
■ Blade speed	255 revs/pm	255 revs/pm	255 revs/pm
■ Max. product size	Round: 235 mm High: 188 mm Wide: 290 mm	Round: 228 mm High: 160 mm Wide: 290 mm	Round: 202 mm High: 126 mm Wide: 290 mm
■ Footprint: L1 x W1	532 x 444 mm	532 x 444 mm	532 x 444 mm
■ Outer dimensions: L x W x H	724 x 571 x 504.4 mm	724 x 587 x 602 mm	724 x 571 x 626.6 mm
■ Working area: L2 x W2	800 x 772.6 mm	806 x 915 mm	806 x 899 mm
■ Slicing thickness	continuously adjustable 0 to 24 mm	continuously adjustable 0 to 24 mm	continuously adjustable 0 to 24 mm
■ Safety class	IP 33	IP 33	IP 33
■ Weight	50 kg	50 kg	50 kg

Options

-  **Ceraclean®**
The essence of purity...
- Clamp carriage
- Lockable produce-fixing handle
- Carriage versions
 - 18° L, 25° L, 25° H
- Blade
 -  **Ceraclean®**
The essence of purity...
 - Perforated blade (for cheese)
 - Toothed blade (for bread)
- Lifting grip
- Vegetable holder
- Tomato straight-edge
- Product attachment

Single-phase alternating current

- Voltage: 230 V
- Frequency: 50 Hz
- Input current: 1.4 A
- Power input: 0.24 kW


Members of the Bizerba Group

Bizerba GmbH & Co. KG
Wilhelm-Kraut-Straße 65
72336 Balingen
Germany
Tel. +49 7433 12-0
Fax +49 7433 12-2696
marketing@bizerba.com
www.bizerba.com

Bizerba (U.K.) Limited
Bizerba House
Eastman Centre
Eastman Way
Hemel Hempstead
Herts HP 2 7 DU
U.K.
Tel. +44 1442 24-0751
Fax +44 1442 2313-28
sales@bizerba.co.uk

Bizerba USA Inc.
31 Gordon Road
Piscataway
New Jersey 08854
USA
Tel. Office +1 732 565-6000
Tel. Service +1 732 565-6001
Fax +1 732 819-0429
us.info@bizerba.com
www.bizerbausa.com

Bizerba Canada Inc.
2810 Argentinia Road #9
Mississauga,
Ontario L5N 8L2
Canada
Tel. +1 905 816-0498
Fax +1 905 816-0497
ca.info@bizerba.com
www.bizerba.ca

Bizerba South East Asia Pte.
Ltd.
1 Fifth Avenue #02-05
Guthrie House
Singapore 268802
Singapore
Tel. +65 6465-1900
Fax +65 6468-0481
bizerba@bizerba-sea.com
www.bizerba-sea.com